



EWART
SINCE 1879

ALL ENQUIRIES

sales@ewartuk.com

www.ewartglobal.com

Tel: +44 (0) 1332 227755

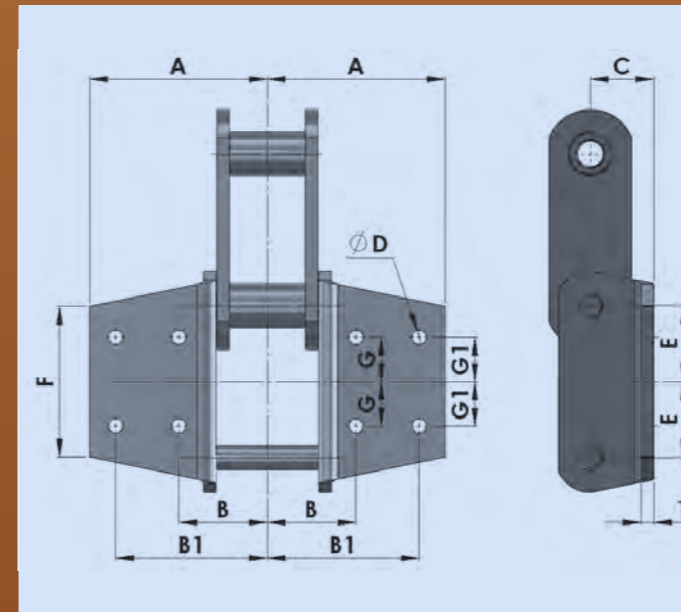
Ewart Global Services Limited
Stirling House, Outrams Wharf, Little Eaton. Derbyshire. DE21 5EL. UK



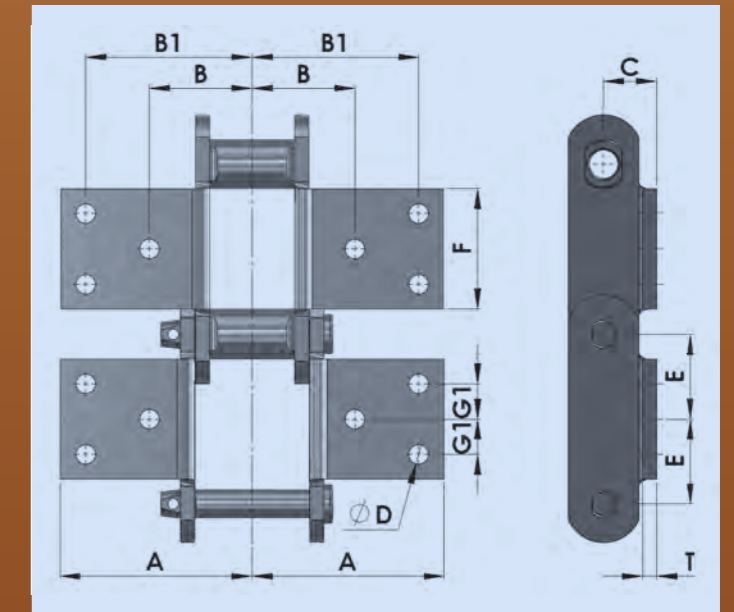
EWART
SINCE 1879

CEMENT INDUSTRY CHAINS
BROCHURE

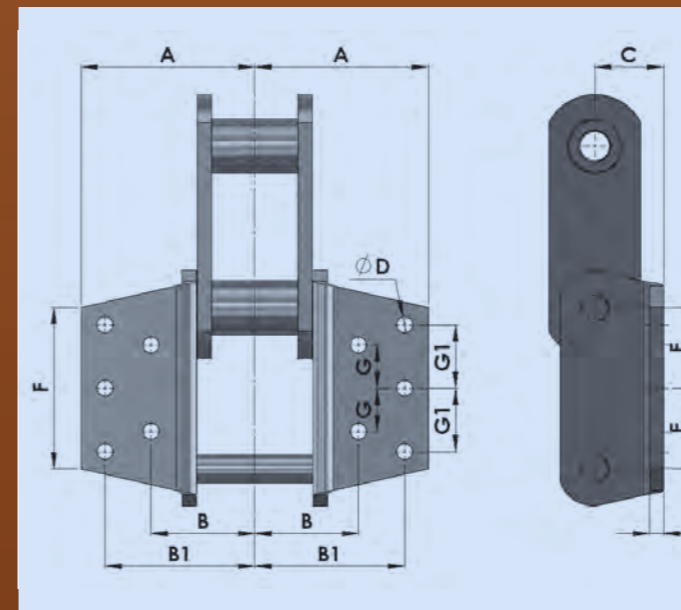
K44 CHAIN



K35 CHAIN



K443 CHAIN



EWART - THE NAME IN CHAIN

Established in Derby, England in 1879 - Ewart are one of the oldest chain manufacturers in the world. The name Ewart is synonymous with industrial chain products worldwide.

Cement production involves heavy-duty machinery and rigorous processes. Ewart quality engineered chains are designed to withstand the demanding conditions, ensuring reliability and durability. They can handle heavy loads, resist wear and corrosion, and operate consistently over extended periods, minimizing downtime and maximizing productivity.

Chain No.	Attachment Style	Weight	A	B	B1	C	Bolt Dia. D	E	F	G	G1	T
SS1111	K2*	15	3.9380"	3.1250"	-	1.500"	0.375"	2.38"	5.219"	1.156"	-	0.375"
	K22*	15	3.9380"	3.1250"	-	1.500"	0.500"	2.38"	5.219"	1.156"	-	0.375"
S856	K35	27	6.7810"	3.6250"	5.875"	1.875"	0.625"	3.00"	4.250"	-	1.25"	0.500"
S857	K44*	38	7.0000"	3.5000"	6.000"	2.500"	0.500"	3.00"	5.938"	1.750"	1.75"	0.625"
S589	K44*	59	7.5000"	3.1560"	6.500"	3.000"	0.625"	3.00"	6.750"	1.375"	2.25"	0.625"
S864	K443*	55	7.5000"	4.5000"	6.500"	3.000"	0.625"	3.50"	7.000"	1.875"	2.75"	0.625"
S984	K443*		7.5000"	4.5000"	6.500"	3.000"	0.690"	3.50"	7.000"	1.875"	2.75"	0.625"

*CANNOT BE SUPPLIED AS CONTINUOUS ATTACHMENTS

S856 - CAN ALSO BE SUPPLIED A24, K2/24 STYLE

Chain No.	Pitch	Allow Chain Pull	Breaking Load		Weight	Sidebar			Pin			Bush		
		Lbs	Lbs	kgs		Lb/ft	Width	Thickness	Mat'l	Diameter	Length	Mat'l	Diameter	Gearing
SS111	4.76"	8,850	75,000	34,020	10	2.00	0.375"	CT	0.75	4.938	AT	1.438"	2.625"	CC
S857	6.00"	14,000	100,000	45,400	20	3.25 2.50*	0.500"	AT	1	6.06	AT1	1.75"	3"	AC
S859	6.00"	22,000	155,000	70,300	34	4.00 3.00	0.625"	AT	1.25	7.312	AT1	2.375"	3.75"	AC
S864	7.00"	22,000	155,000	70,300	33	4.00 3.00*	0.625"	AT	1.25	7.312	AT1	2.375"	3.75"	AC
S984	7.00"	24,000	325,000	147,000	43	4.00	0.625"	AT	1.38	7.41	AT1	2.5"	3.75"	AC

*REFERS TO OUTER SIDEBAR